



# 目录 CONTENTS

<b>A</b>	<b>Open End Blind Rivets</b>	A01 Aluminium/Stainless Steel Open End	1
		A02 Aluminium/Stainless Steel Open End Countersunk Head	3
		A03 Stainless Steel/Steel Open End	5
		A04 Stainless Steel/Steel Open End Countersunk Head	7
		A05 Stainless Steel/Stainless Steel Open End	9
		A06 Stainless Steel/Stainless Steel Open End Countersunk Head	11

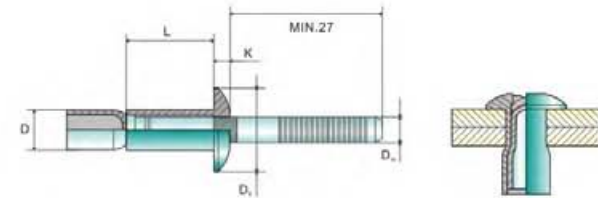
<b>B</b>	<b>Closed End Blind Rivets</b>	B01 304 Stainless Steel/304 Stainless Steel Closed End	13
		B02 304 Stainless Steel/420 Stainless Steel Closed End	15
		B03 Steel/Steel Closed End	17
		B04 Aluminium/Stainless Steel Closed End	19

<b>C</b>	<b>Structural Rivets</b>	C01 Stainless Steel/Stainless Steel Single-Grip	21
		C02 Stainless Steel/Stainless Steel Multi-Grip	22
		C03 Steel/Steel Single-Grip	23
		C04 Steel/Steel Multi-Grip	24
		C05 Steel/Steel Hem-Fix	25
		C06 Stainless Steel/Stainless Steel Hem-Fix	26
		C07 Aluminium/Aluminium H-Lock	27
		C08 Aluminium/Aluminium H-Lock Countersunk Head	28
		C09 Aluminium/Aluminium H-Bolt	29
		C10 Aluminium/Aluminium H-Bolt Countersunk Head	30
		C11 Steel/Steel H-Lock	31
		C12 Steel/Steel H-Lock Countersunk Head	32
		C13 Steel/Steel H-Bolt	33
		C14 Steel/Steel H-Bolt Countersunk Head	34
		C15 Stainless Steel/Stainless Steel H-Lock	35
		C16 Stainless Steel/Stainless Steel H-Lock Countersunk Head	36
		C17 Stainless Steel/Stainless Steel H-Bolt	37
		C18 Stainless Steel/Stainless Steel H-Bolt Countersunk Head	38
		C19 Tri-fold Rivet	39
		C20 Tri-fold Rivet With Water Resistance	40

<b>D</b>	<b>Rivet Nuts</b>	D01 Cylindrical/Grooved Flat Head Rivet Nuts	41
		D02 Cylindrical/Grooved Countersunk Head Rivet Nuts	42
		D03 Half-Hex/Hex Flat Head Rivet Nuts	43
		D04 Cylindrical/Grooved Flat Head Closed End Rivet Nuts	44

<b>E</b>	<b>Riveting Tools</b>	E01 For Blind Rivets	45
		E02 For Blind Rivets	46
		E03 For Blind Rivet Nuts	47

## C07 Aluminium/Aluminium H-Lock

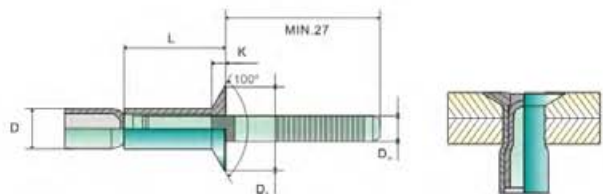


D	P/N	L +1		D <sub>s</sub>	K Max	D <sub>in</sub> Max	Drill 	T (N)	S (N)
4.8	HLS-L4.8*10	10	1.6-6.8	10.1	2.1	2.9	4.9-5.1	1800	2400
	HLS-L4.8*14	14	1.6-11.1						
	HLS-L4.8*19	19	3.0-14						

D	P/N	L +1		D <sub>s</sub>	K Max	D <sub>in</sub> Max	Drill 	T	S
6.4	HLS-L6.4*14	14	2.0-9.5	13.3	2.9	3.9	6.6-7.0	3600	4800
	HLS-L6.4*19	19	2.0-15.0						

C08

### Aluminium/Aluminium H-Lock Countersunk Head

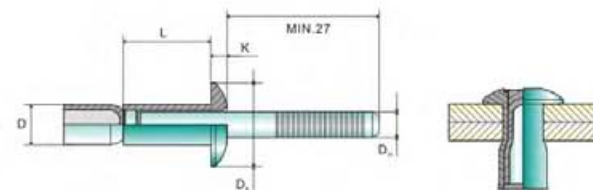


D	P/N	L +1		D <sub>s</sub>	K Max	D <sub>h</sub> Max	Drill 	T (N)	S (N)
4.8	HLS <sub>2</sub> -L4.8*10	10	3.0-6.8	10.1	2.1	2.9		1800	2400
	HLS <sub>2</sub> -L4.8*14	14	3.0-11.1						

D	P/N	L +1		D <sub>s</sub>	K Max	D <sub>h</sub> Max	Drill 	T (N)	S (N)
6.4	HLS <sub>2</sub> -L6.4*14	14	3.0-9.5	13.3	2.9	3.9		3600	4800
	HLS <sub>2</sub> -L6.4*19	19	3.0-15.8						

C09

### Aluminium/Aluminium H-Bolt

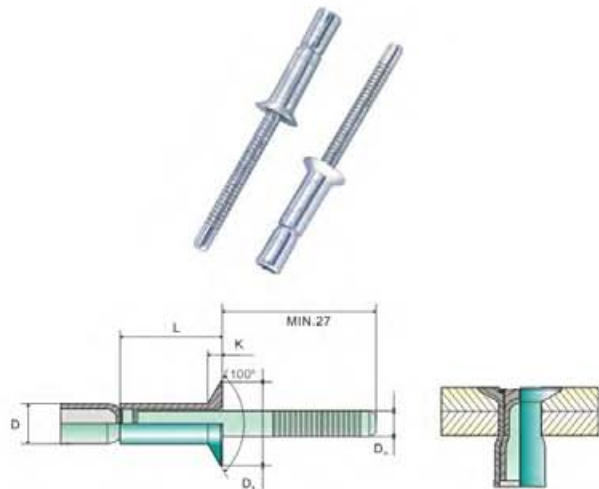


D	P/N	L +1		D <sub>s</sub>	K Max	D <sub>h</sub> Max	Drill 	T (N)	S (N)
4.8	H2LS-L4.8*10	10	1.6-6.8	10.1	2.1	2.9		1800	2400
	H2LS-L4.8*14	14	1.6-11.1						

D	P/N	L +1		D <sub>s</sub>	K Max	D <sub>h</sub> Max	Drill 	T (N)	S (N)
6.4	H2LS-L6.4*14	14	2.0-9.5	13.3	2.9	3.9		3600	4800
	H2LS-L6.4*19	19	2.0-15.8						



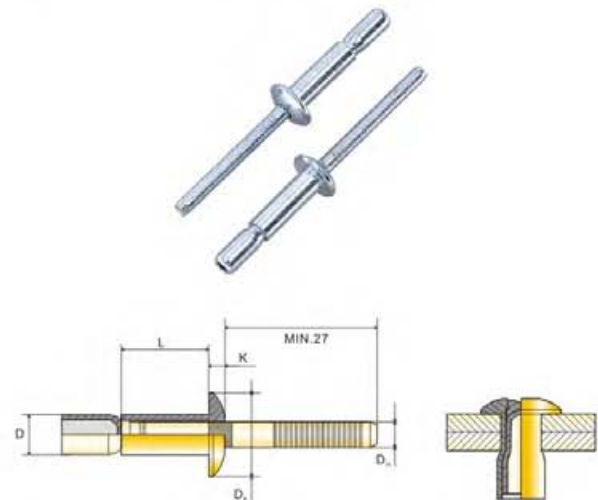
**C10 Aluminium/Aluminium H-Bolt Countersunk Head**



D	P/N	L +1		D <sub>i</sub>	K Max	D <sub>o</sub> Max	Drill 	T (N)	S (N)
4.8	H2LS <sub>2</sub> -L4.8*10	10	3.0-6.8	10.1	2.1	2.9	4.9-5.1	1800	2400
	H2LS <sub>2</sub> -L4.8*14	14	3.0-11.1						

D	P/N	L +1		D <sub>i</sub>	K Max	D <sub>o</sub> Max	Drill 	T (N)	S (N)
6.4	H2LS <sub>2</sub> -L6.4*14	14	3.0-9.5	13.3	2.9	3.9	6.6-7.0	3600	4800
	H2LS <sub>2</sub> -L6.4*19	19	3.0-15.8						

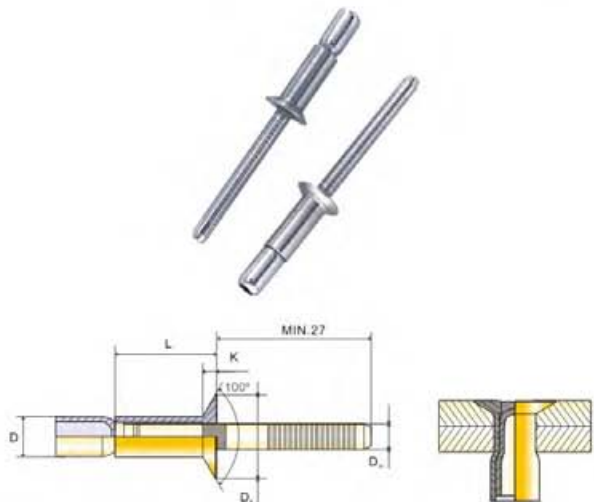
**C11 Steel/Steel H-Lock**



D	P/N	L +1		D <sub>i</sub>	K Max	D <sub>o</sub> Max	Drill 	T (N)	S (N)
4.8	HLS-G4.8*10	10	1.6-6.8	10.1	2.1	2.9	4.9-5.1	4100	5700
	HLS-G4.8*14	14	1.6-11.1						

D	P/N	L +1		D <sub>i</sub>	K Max	D <sub>o</sub> Max	Drill 	T (N)	S (N)
6.4	HLS-G6.4*14	14	2.0-9.5	13.3	2.9	3.9	6.6-7.0	8200	10000
	HLS-G6.4*19	19	2.0-15.8						

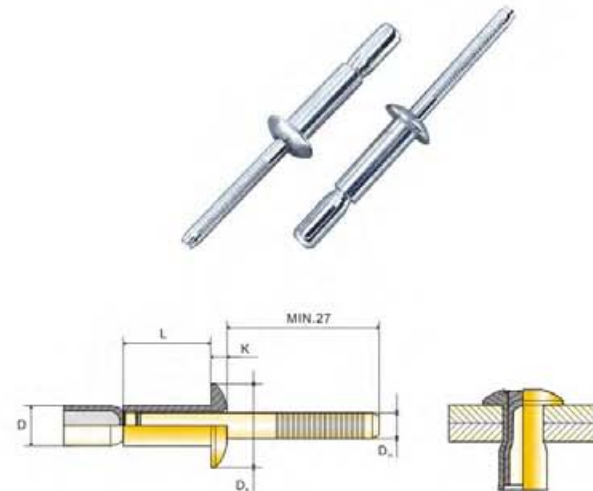
**C12 Steel/Steel H-Lock Countersunk Head**



D	P/N	L +1		D <sub>1</sub>	K Max	D <sub>2</sub> Max	Drill 	T (N)	S (N)
4.8	HLS <sub>2</sub> -G4.8*10	10	3.0-6.8	10.1	2.1	2.9	4.9-5.1	4100	5700
	HLS <sub>2</sub> -G4.8*14	14	3.0-11.1						

D	P/N	L +1		D <sub>1</sub>	K Max	D <sub>2</sub> Max	Drill 	T (N)	S (N)
6.4	HLS <sub>2</sub> -G6.4*14	14	3.0-9.5	13.3	2.9	3.9	6.6-7.0	8200	10000
	HLS <sub>2</sub> -G6.4*19	19	3.0-15.8						

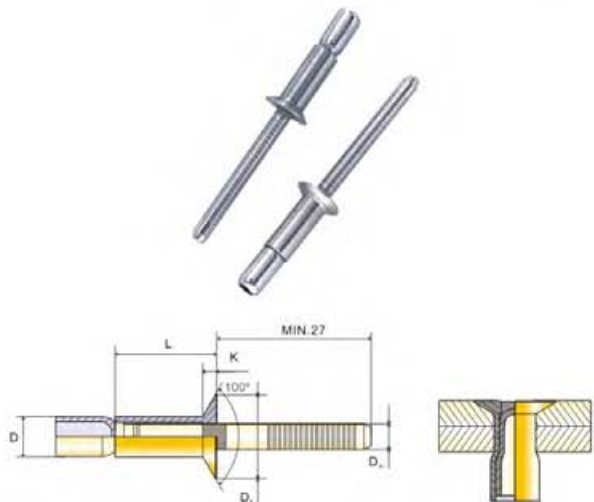
**C13 Steel/Steel H-Bolt**



D	P/N	L +1		D <sub>1</sub>	K Max	D <sub>2</sub> Max	Drill 	T (N)	S (N)
4.8	H2LS-G4.8*10	10	1.6-6.8	10.1	2.1	2.9	4.9-5.1	4100	5700
	H2LS-G4.8*14	14	1.6-11.1						

D	P/N	L +1		D <sub>1</sub>	K Max	D <sub>2</sub> Max	Drill 	T (N)	S (N)
6.4	H2LS-G6.4*14	14	2.0-9.5	13.3	2.9	3.9	6.6-7.0	8200	10000
	H2LS-G6.4*19	19	2.0-15.8						

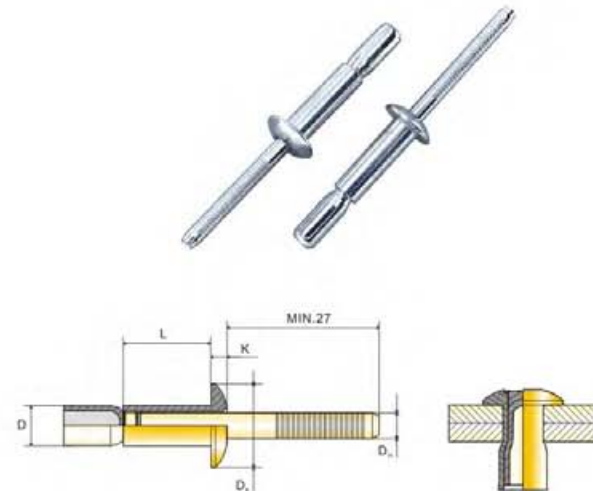
**C12 Steel/Steel H-Lock Countersunk Head**



D	P/N	L +1		D <sub>1</sub>	K Max	D <sub>2</sub> Max	Drill 	T (N)	S (N)
4.8	HLS <sub>2</sub> -G4.8*10	10	3.0-6.8	10.1	2.1	2.9	4.9-5.1	4100	5700
	HLS <sub>2</sub> -G4.8*14	14	3.0-11.1						

D	P/N	L +1		D <sub>1</sub>	K Max	D <sub>2</sub> Max	Drill 	T (N)	S (N)
6.4	HLS <sub>2</sub> -G6.4*14	14	3.0-9.5	13.3	2.9	3.9	6.6-7.0	8200	10000
	HLS <sub>2</sub> -G6.4*19	19	3.0-15.8						

**C13 Steel/Steel H-Bolt**

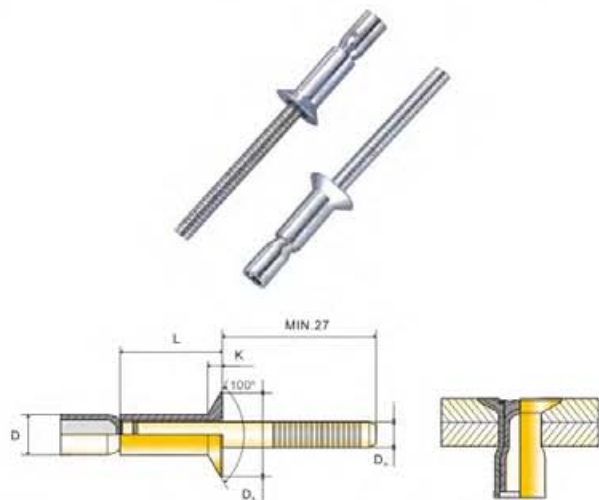


D	P/N	L +1		D <sub>1</sub>	K Max	D <sub>2</sub> Max	Drill 	T (N)	S (N)
4.8	H2LS-G4.8*10	10	1.6-6.8	10.1	2.1	2.9	4.9-5.1	4100	5700
	H2LS-G4.8*14	14	1.6-11.1						

D	P/N	L +1		D <sub>1</sub>	K Max	D <sub>2</sub> Max	Drill 	T (N)	S (N)
6.4	H2LS-G6.4*14	14	2.0-9.5	13.3	2.9	3.9	6.6-7.0	8200	10000
	H2LS-G6.4*19	19	2.0-15.8						



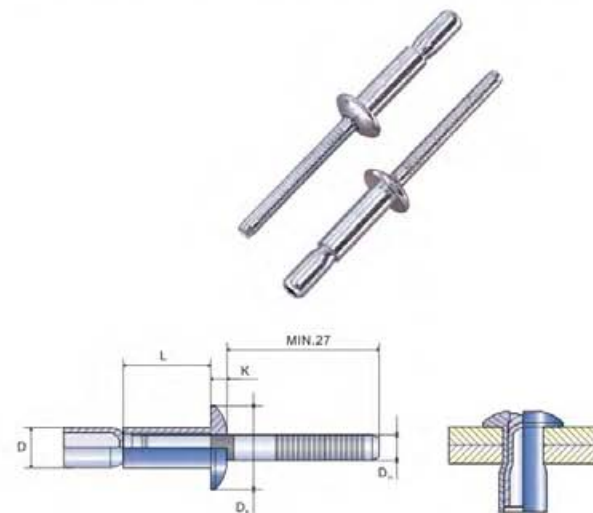
**C14 Steel/Steel H-Bolt Countersunk Head**



D	P/N	L +1		D <sub>s</sub>	K Max	D <sub>n</sub> Max	Drill 	T (N)	S (N)
4.8	H2LS <sub>2</sub> -G4.8*10	10	3.0-6.8	10.1	2.1	2.9	4.9-5.1	4100	5700
	H2LS <sub>2</sub> -G4.8*14	14	3.0-11.1						

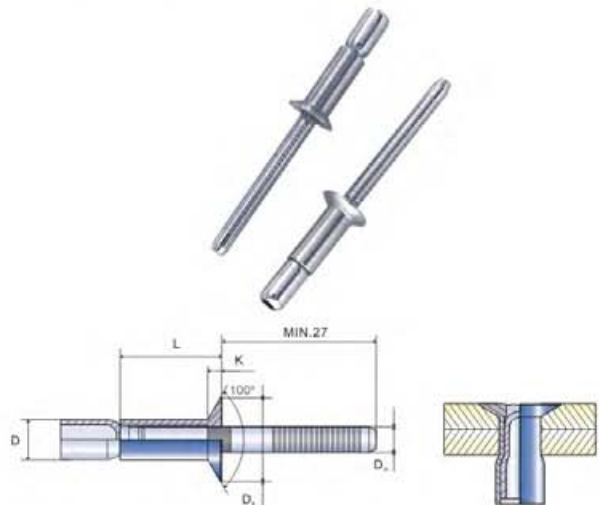
D	P/N	L +1		D <sub>s</sub>	K Max	D <sub>n</sub> Max	Drill 	T (N)	S (N)
6.4	H2LS <sub>2</sub> -G6.4*14	14	3.0-9.5	13.3	2.9	3.9	6.6-7.0	8200	10000
	H2LS <sub>2</sub> -G6.4*19	19	3.0-15.8						


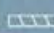
**C15 Stainless Steel/Stainless Steel H-Lock**





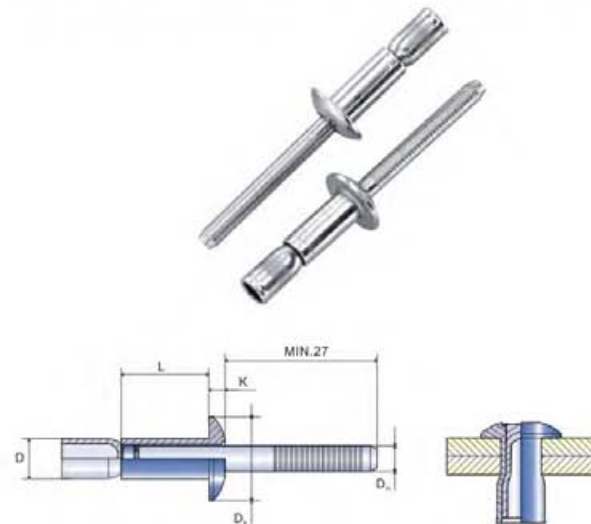
D	P/N	L +1		D <sub>s</sub>	K Max	D <sub>n</sub> Max	Drill 	T (N)	S (N)
4.8	HLS-B4.8*10	10	1.6-6.8	10.1	2.1	2.9	4.9-5.1	4100	5700
	HLS-B4.8*14	14	1.6-11.1						

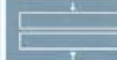

D	P/N	L +1		D <sub>s</sub>	K Max	D <sub>n</sub> Max	Drill 	T (N)	S (N)
6.4	HLS-B6.4*14	14	2.0-9.5	13.3	2.9	3.9	6.6-7.0	8200	10000
	HLS-B6.4*19	19	2.0-15.8						


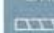
**C16** **Stainless Steel/Stainless Steel H-Lock Countersunk Head**


D	P/N	L +1		D <sub>1</sub>	K Max	D <sub>0</sub> Max	Drill 	T (N)	S (N)
4.8	HLS <sub>2</sub> -B4.8*10	10	3.0-6.8	10.1	2.1	2.9	4.9-5.1	4100	5700
	HLS <sub>2</sub> -B4.8*14	14	3.0-11.1						

D	P/N	L +1		D <sub>1</sub>	K Max	D <sub>0</sub> Max	Drill 	T (N)	S (N)
6.4	HLS <sub>2</sub> -B6.4*14	14	3.0-9.5	13.3	2.9	3.9	6.6-7.0	8200	10000
	HLS <sub>2</sub> -B6.4*19	19	3.0-15.8						

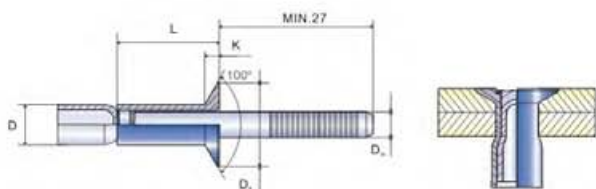
**C17** **Stainless Steel/Stainless Steel H-Bolt**


D	P/N	L +1		D <sub>1</sub>	K Max	D <sub>0</sub> Max	Drill 	T (N)	S (N)
4.8	H2LS-B4.8*10	10	1.6-6.8	10.1	2.1	2.9	4.9-5.1	4100	5700
	H2LS-B4.8*14	14	1.6-11.1						

D	P/N	L +1		D <sub>1</sub>	K Max	D <sub>0</sub> Max	Drill 	T (N)	S (N)
6.4	H2LS-B6.4*14	14	2.0-9.5	13.3	2.9	3.9	6.6-7.0	8200	10000
	H2LS-B6.4*19	19	2.0-15.8						



**C18** **Stainless Steel/Stainless Steel H-Bolt  
Countersunk Head**



D	P/N	L +1		D <sub>1</sub>	K Max	D <sub>2</sub> Max	Drill 	T (N)	S (N)
<b>4.8</b>	H2LS <sub>2</sub> -B4.8*10	10	3.0-6.8	10.1	2.1	2.9	4.9-5.1	4100	5700
	H2LS <sub>2</sub> -B4.8*14	14	3.0-11.1						

D	P/N	L +1		D <sub>1</sub>	K Max	D <sub>2</sub> Max	Drill 	T (N)	S (N)
<b>6.4</b>	H2LS <sub>2</sub> -B6.4*14	14	3.0-9.5	13.3	2.9	3.9	6.6-7.0	8200	10000
	H2LS <sub>2</sub> -B6.4*19	19	3.0-15.8						